



## Self-contained ice maker - Sprayer system Daily production up to 73 kg

Hotel	████████████████████
Restaurant	████████████████████
Fast food	████████████████████
Bar	████████████████████
Disco	████████████████████
Fish market	████████████████████
Supermarket	████████████████████
Medical & SPA	████████████████████
Industry	████████████████████

### ► Position n°



### ► Features & Plus

- Compact and crystal cube
- AISI 304 SS Scotch Brite finish
- Tropical class +43°C
- Adjustable Stainless Steel feet
- Removable and cleanable air filter
- Air or water cooling system
- Easy cleanable internal rounded surfaces
- HCFC-Free insulated storage
- RoHS Free
- Disappearing insulated door
- Electromechanical operation
- ON-OFF rocker switch
- Standard and special voltages
- HFC Free
- Automatic Washing system



AISI 304 SS Scotch Brite finish



Adjustable Stainless Steel feet

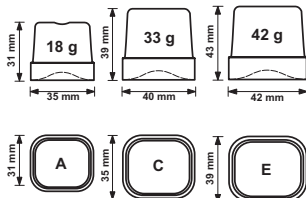


Removable and cleanable air filter



Disappearing insulated door

### ► Available ice cube size



### ► Prod. 24h

Air temp.	Water temp.	kg	lbs
		10° C / 50° F	73
21° C / 70° F	15° C / 60° F	72	159

**2 Years Warranty**  
subject to limitations

### ► Certifications available for this model



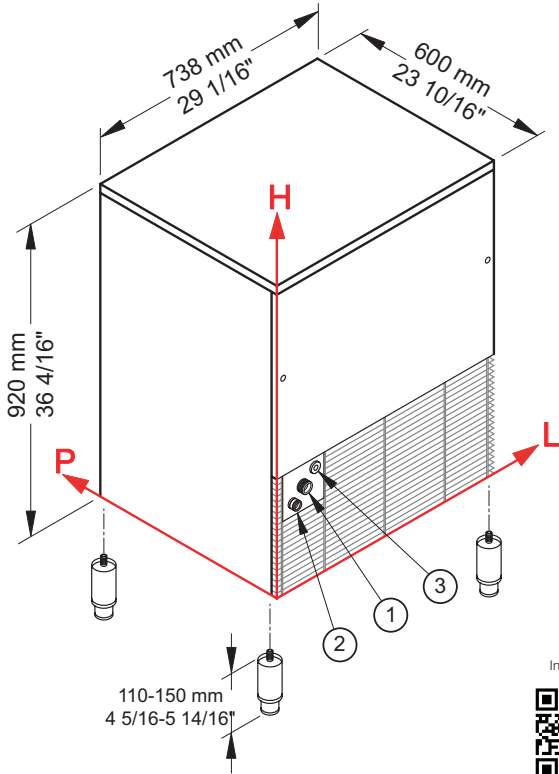


Ice Cube

# CB 640 HC



## Self-contained ice maker - Sprayer system Daily production up to 73 kg



### ► Working conditions

- Location: **Indoor**

	Min	Max
Ambient temperature	+10° C / +50° F	+43° C / 110° F
Water temperature	+3° C / +37° F	+32° C / +90° F
Voltage	-10%	+10%
Water inlet pressure	1bar (14 psi)	6bar (84 psi)

### ► Performances

Air temperature	Water temperature	Water temperature					
		7° C	45° F	15° C	60° F	21° C	70° F
10° C	73 kg						
50° F	161 lbs						
21° C			72 kg				
70° F			159 lbs				
32° C					62 kg		
90° F						137 lbs	

### ► Connections

All measures are referred to the rear bottom-left corner (L-H-Ø)

- ① Water in.: 116 mm / 4 9/16" - 285 mm / 11 4/16" - 3/4"      ② Water out.: 54 mm / 2 2/16" - 245 mm / 9 10/16" - 24 mm / 15/16"
- ③ Electrical connections: 161 mm / 6 5/16" - 321 mm / 12 10/16"

### ► Technical information

Production in 24h	72 kg / 159 lbs	Water consumption	A: 3 l/kg - 36 gal/100 lbs
Store capacity, up to	40 kg / 88 lbs		W: 16 l/kg - 192 gal/100 lbs
Cooling system	A - W	Sizes (L-P-H mm)	738 - 600 - 920
Kind of cube	A-18g, C-33g, E-42g	(L-P-H in)	29 1/16 - 23 10/16 - 36 4/16
Refrigerant	R290	Sizes with pack (L-P-H mm)	780 - 640 - 1085
Standard voltage	220-240 V ~ 50 Hz	(L-P-H in)	30 11/16 - 25 3/16 - 42 11/16
Average power consumption	620 W	Net weight	77 kg / 170 lbs
Fuse	10 A	Gross weight	89 kg / 196 lbs
Electrical consumption	22 kWh/100kg	Finish	AISI 304 stainless steel, scotch brite

All the technical information must be considered at the following conditions:

- Sizes without feet
- Standard Cube (18 g)
- Ambient temperature +21° C
- Water temperature +15° C
- Electrical consumption at +32° C (standard voltage)
- Average power consumption at +43° C (standard voltage)

Models and specifications are subject to change without notice

Rev. 03. - Issued April 2018



[www.bremaice.it](http://www.bremaice.it)  
info@bremaice.it

Bim + Data  
download

