

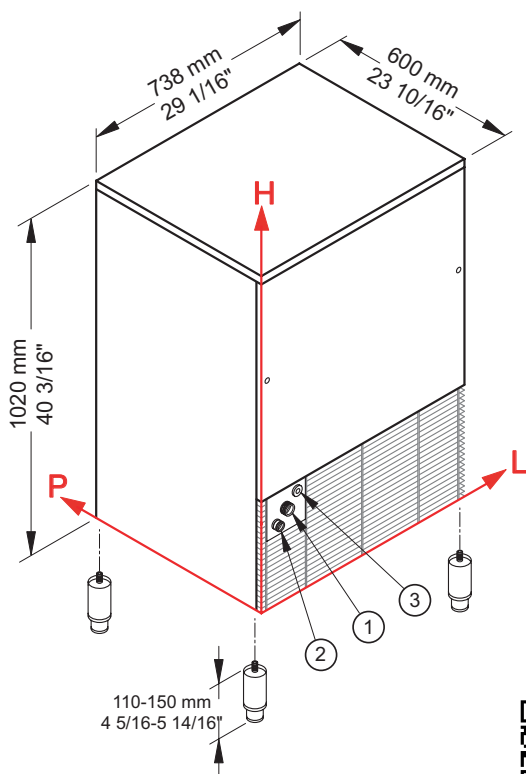


Ice Cube

CB 955 HC



Self-contained ice maker - Sprayer system Daily production up to 97 kg



Installation



► Working conditions

- Location: **Indoor**

	Min	Max
Ambient temperature	+10° C / +50° F	+43° C / 110° F
Water temperature	+3° C / +37° F	+32° C / +90° F
Voltage	-10%	+10%
Water inlet pressure	1bar (14 psi)	6bar (84 psi)

► Performances

	Air temperature	Water temperature	Water temperature				
			7° C	45° F	15° C	60° F	21° C
	10° C	97 kg					
	50° F	214 lbs					
	21° C		95 kg				
	70° F			209 lbs			
	32° C				82 kg		
	90° F					181 lbs	

► Connections

All measures are referred to the rear bottom-left corner (L-H-Ø)

- ① Water in.: 116 mm / 4 9/16" - 285 mm / 11 4/16" - 3/4" ② Water out.: 54 mm / 2 2/16" - 245 mm / 9 10/16" - 24 mm / 15/16"
- ③ Electrical connections: 161 mm / 6 5/16" - 321 mm / 12 10/16"

► Technical information

Production in 24h	95 kg / 209 lbs	Water consumption	A: 3 l/kg - 36 gal/100 lbs
Store capacity, up to	55 kg / 121 lbs		A: 17 l/kg - 204 gal/100 lbs
Cooling system	A - W	Sizes (L-P-H mm)	738 - 600 - 1020
Kind of cube	A-18g, C-33g, D-13g, E-42g	(L-P-H in)	29 1/16 - 23 10/16 - 40 3/16
Refrigerant	R290	Sizes with pack (L-P-H mm)	780 - 640 - 1185
Standard voltage	220-240 V ~ 50 Hz	(L-P-H in)	30 11/16 - 25 3/16 - 46 10/16
Average power consumption	890 W	Net weight	89 kg / 196 lbs
Fuse	10 A	Gross weight	102 kg / 225 lbs
Electrical consumption	23 kWh/100kg	Finish	AISI 304 stainless steel, scotch brite

All the technical information must be considered at the following conditions:

- Sizes without feet
- Standard Cube (18 g)
- Ambient temperature +21° C
- Water temperature +15° C
- Electrical consumption at +32° C (standard voltage)
- Average power consumption at +43° C (standard voltage)

Models and specifications are subject to change without notice

Rev. 02.1 - Issued January 2019



www.bremaice.it
info@bremaice.it

Bim + Data
download

