



Self-contained ice maker - Sprayer system Daily production up to 25 kg

Hotel	████████████████████
Restaurant	██████████████████
Fast food	██████████████████
Bar	██████████████████
Disco	██████████████████
Fish market	██████████████████
Supermarket	██████████████████
Medical & SPA	██████████████████
Industry	██████████████████

► Position n°



► Features & Plus

- Compact and crystal cube
- AISI 304 SS Scotch Brite finish
- Tropical class +43°C
- Cleanable antiscala filter
- Easy cleanable internal rounded surfaces
- HCFC-Free insulated storage
- RoHS Free
- Disappearing insulated door
- Electromechanical operation
- ON-OFF rocker switch
- Standard and special voltages
- Patented sprayer slide
- Suitable for embedment



AISI 304 SS Scotch Brite finish



Cleanable antiscala filter



Disappearing insulated door



Patented sprayer slide

► Available ice cube size



► Prod. 24h

Air temp.	Air temp.		Water temp.		kg	lbs
	10° C	50° F	7° C	45° F		
	21° C	70° F	15° C	60° F		
					25	55
					22	49

2 Years Warranty
subject to limitations

► Certifications available for this model

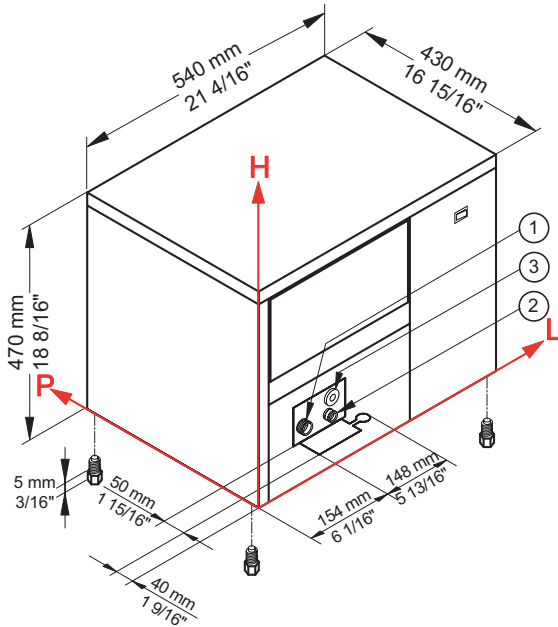




Ice Cube

IC 18

Self-contained ice maker - Sprayer system
Daily production up to 25 kg

**► Working conditions**

- Location: **Indoor**

	Min	Max
Ambient temperature	+10° C / +50° F	+43° C / 110° F
Water temperature	+3° C / +37° F	+32° C / +90° F
Voltage	-10%	+10%
Water inlet pressure	1bar (14 psi)	6bar (84 psi)

► Performances

	Water temperature						
		7° C	45° F	15° C	60° F	21° C	70° F
Air temperature	10° C	25 kg					
	50° F	55 lbs					
	21° C			22 kg			
	70° F				49 lbs		
	32° C					18 kg	
	90° F						40 lbs

► Connections

All measures are referred to the rear bottom-left corner

- ① Water in.: 3/4" Ø
- ② Water out.: 24 mm / 15/16" Ø
- ③ Electrical connections

► Technical information

Production in 24h	22 kg / 49 lbs	Water consumption	A: 4,5 l/kg - 53,9 gal/100 lbs
Store capacity, up to	4 kg / 9 lbs	Sizes (L-P-H mm)	540 - 430 - 470
Cooling system	A	(L-P-H in)	21 4/16 - 16 15/16 - 18 8/16
Kind of cube	D-13g	Sizes with pack (L-P-H mm)	590 - 490 - 640
Refrigerant	R404A - R452A	(L-P-H in)	23 4/16 - 19 5/16 - 25 3/16
Standard voltage	220-240 V ~ 50 Hz	Net weight	34 kg / 75 lbs
Average power consumption	320 W	Gross weight	39 kg / 86 lbs
Fuse	10 A	Finish	AISI 304 stainless steel, scotch brite

All the technical information must be considered at the following conditions:

- Sizes without feet
- Standard Cube (13 g)
- Ambient temperature +21° C
- Water temperature +15° C
- Average power consumption at +43° C (standard voltage)
- Refrigerant R404A

Models and specifications are subject to change without notice

Rev. 03 - Issued May 2018



www.bremaice.it
info@bremaice.it

