



Self-contained ice maker - Pebble system
Daily production up to 153 kg

| | |
|---------------|----------------------|
| Hotel | ████████████████████ |
| Restaurant | ████████████████████ |
| Fast food | ████████████████████ |
| Bar | ████████████████████ |
| Disco | ████████████████████ |
| Fish market | ████████████████████ |
| Supermarket | ████████████████████ |
| Medical & SPA | ████████████████████ |
| Industry | ████████████████████ |

► Position n°



► **Features & Plus**

- Pebble ice - 91% dry
- 1l (water) - 1kg (ice) - only Air cooled
- AISI 304 SS Scotch Brite finish
- Tropical class +43°C
- Adjustable Stainless Steel feet
- Removable and cleanable air filter
- AISI 304 SS evaporator
- Air or water cooling system
- Easy cleanable internal rounded surfaces
- HCFC-Free insulated storage
- Dust-proof water basin
- RoHS Free
- Disappearing insulated door
- Electromechanical operation
- ON-OFF rocker switch
- Automatic water charge
- Standard and special voltages
- HFC Free



AISI 304 SS Scotch Brite finish



Removable and cleanable air filter



AISI 304 SS evaporator



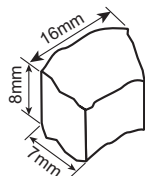
Dust-proof water basin



Disappearing insulated door

► **Available pebble size**

drawing for reference only



► **Prod. 24h**

| Air temp. | Water temp. | kg | lbs | | |
|-----------|-------------|-------|-------|-------|-------|
| | | | | 10° C | 50° F |
| 21° C | 70° F | 15° C | 60° F | 142 | 313 |

2 Years Warranty
subject to limitations

► **Certifications available for this model**



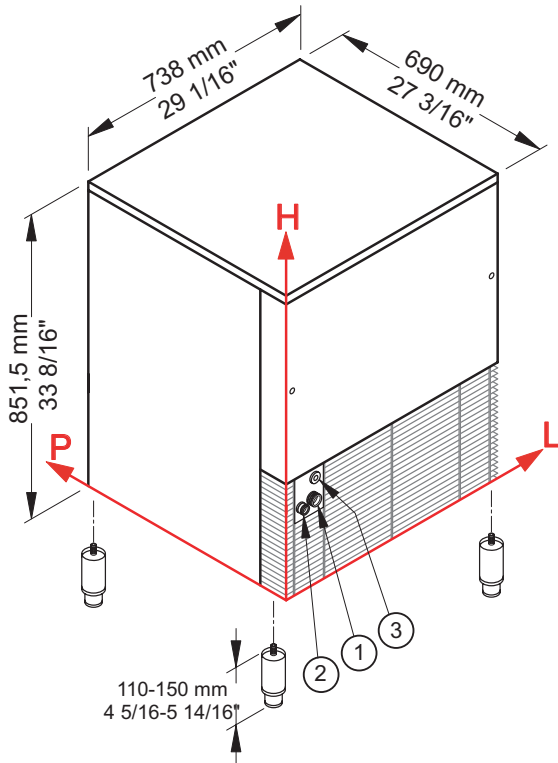


Ice Pebbles

TB 1404 HC



Self-contained ice maker - Pebble system Daily production up to 153 kg



► Working conditions

- Location: **Indoor**

| | Min | Max |
|----------------------|-----------------|-----------------|
| Ambient temperature | +10° C / +50° F | +43° C / 110° F |
| Water temperature | +3° C / +37° F | +32° C / +90° F |
| Voltage | -10% | +10% |
| Water inlet pressure | 1bar (14 psi) | 6bar (84 psi) |

► Performances

| | Air temperature | Water temperature | Water temperature | | | | |
|--|-----------------|-------------------|-------------------|---------|--------|---------|-------|
| | | | 7° C | 45° F | 15° C | 60° F | 21° C |
| | 10° C | 153 kg | | | | | |
| | 50° F | 337 lbs | | | | | |
| | 21° C | | 142 kg | | | | |
| | 70° F | | | 313 lbs | | | |
| | 32° C | | | | 117 kg | | |
| | 90° F | | | | | 258 lbs | |

► Connections

All measures are referred to the rear bottom-left corner (L-H-Ø)

- ① Water in.: 104 mm / 4 2/16" - 182 mm / 7 3/16" - 3/4" Ø
- ② Water out.: 53 mm / 2 1/16" - 175 mm / 6 14/16" - 24 mm / 15/16" Ø
- ③ Electrical connections: 92 mm / 3 10/16" - 254 mm / 10"

► Technical information

| | | | |
|---------------------------|-------------------|----------------------------|--|
| Production in 24h | 142 kg / 313 lbs | Water consumption | A: 1 l/kg - 12,0 gal/100 lbs |
| Store capacity, up to | 40 kg / 88 lbs | | W: 9 l/kg - 108 gal/100 lbs |
| Cooling system | A - W | Sizes (L-P-H mm) | 738 - 690 - 851,5 |
| Approximate pebble size | 8 x 16 x 7 | (L-P-H in) | 29 1/16 - 27 3/16 - 33 8/16 |
| Refrigerant | R290 | Sizes with pack (L-P-H mm) | 780 - 735 - 1015 |
| Standard voltage | 220-240 V ~ 50 Hz | (L-P-H in) | 30 11/16 - 28 15/16 - 39 15/16 |
| Average power consumption | 720 W | Net weight | 90 kg / 198 lbs |
| Fuse | 10 A | Gross weight | 100 kg / 220 lbs |
| Electrical consumption | 13 kWh/100kg | Finish | AISI 304 stainless steel, scotch brite |

All the technical information must be considered at the following conditions:
 Ambient temperature +21° C
 Water temperature +15° C
 Electrical consumption at +32° C (standard voltage)
 Average power consumption at +43° C (standard voltage)

Models and specifications are subject to change without notice

Rev. 01.1 - Issued April 2018



www.bremaice.it
info@bremaice.it

Bim + Data
download

