

Modular ice maker - Vertical evaporator system Daily production up to 145 kg

| | |
|---------------|----------------------|
| Hotel | ████████████████████ |
| Restaurant | ████████████████████ |
| Fast food | ████████████████████ |
| Bar | ████████████████████ |
| Disco | ████████████████████ |
| Fish market | ████████████████████ |
| Supermarket | ████████████████████ |
| Medical & SPA | ████████████████████ |
| Industry | ████████████████████ |

► Position n°



► Features & Plus

- Single and crystal cube
- AISI 304 SS Scotch Brite finish
- Tropical class +43°C
- Removable and cleanable air filter
- Air or water cooling system
- Easy cleanable internal rounded surface
- RoHS Free
- Electromechanical operation
- ON-OFF rocker switch
- Automatic washing system
- Standard and special voltages



Single and crystal cube



AISI 304 SS Scotch Brite finish

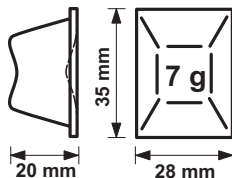


Removable and cleanable air filter

► Usable Bins

- Bin 110
- Bin 200
- Bin 240PE

► Available ice cube size



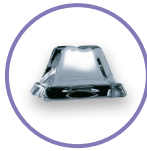
► Prod. 24h

| Air temp. | Water temp. | | Kg | Lbs |
|-----------|-------------|-------|-----|-----|
| | 10° C | 50° F | | |
| 10° C | 50° F | 7° C | 145 | 320 |
| 21° C | 70° F | 15° C | 140 | 309 |

2 Years Warranty
subject to limitations

► Certifications available for this model



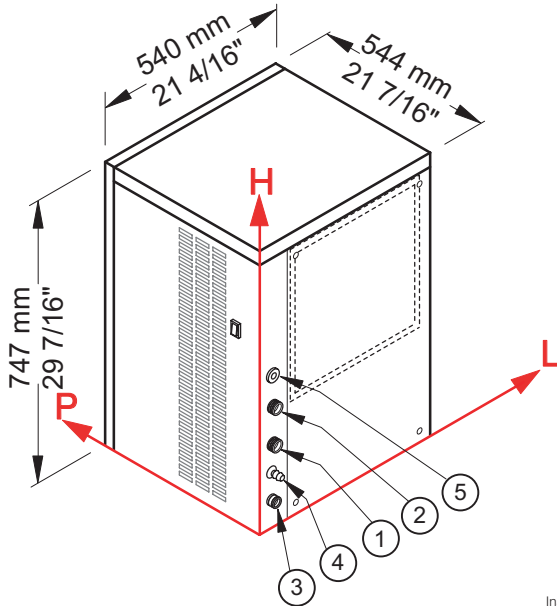


Fast Ice

VM 350



Modular ice maker - Vertical evaporator system Daily production up to 145 kg



► Working conditions

- Location: **Indoor**

| | Min | Max |
|----------------------|-----------------|-----------------|
| Ambient temperature | +10° C / +50° F | +43° C / 110° F |
| Water temperature | +3° C / +37° F | +32° C / +90° F |
| Voltage | -10% | +10% |
| Water inlet pressure | 1bar (14 psi) | 6bar (84 psi) |

► Performances

| | Air temperature | Water temperature | Water temperature | | | | | |
|--|-----------------|-------------------|-------------------|--------|---------|--------|---------|-------|
| | | | 7° C | 45° F | 15° C | 60° F | 21° C | 70° F |
| | 10° C | 145 kg | | | | | | |
| | 50° F | 320 lbs | | | | | | |
| | 21° C | | | 140 kg | | | | |
| | 70° F | | | | 309 lbs | | | |
| | 32° C | | | | | 113 kg | | |
| | 90° F | | | | | | 249 lbs | |

► Connections

All measures are referred to the down-left corner (L-H-Ø)

- ① Water in.: 35 mm / 1 6/16" - 173 mm / 6 13/16" - 3/4"
- ② Cond. water in.: 35 mm / 1 6/16" - 268 mm / 10 9/16" - 3/4"
- ③ Water out.: 32 mm / 1 4/16" - 42 mm / 1 10/16" - 24 mm / 15/16"
- ④ Cond. water out.: 28 mm / 1 2/16" - 93 mm / 3 11/16" - 12 mm / 8/16"
- ⑤ Electrical connections: 33 mm / 1 5/16" - 343 mm / 13 8/16"
- ② ④ Only water cooling systems

► Technical information

| | | | |
|---------------------------|--|----------------------------|----------------------------------|
| Production in 24h | 140 kg / 309 lbs | Water consumption | A: 3 l/kg - 35,9 gal/100 lbs |
| Cooling system | A - W | | W: 13,5 l/kg - 161,8 gal/100 lbs |
| Kind of cube | 7g | Sizes (L-P-H mm) | 540 - 544 - 747 |
| Refrigerant | R404A - R452A | (L-P-H in) | 21 4/16 - 21 7/16 - 29 7/16 |
| Standard voltage | 220-240 V ~ 50 Hz | Sizes with pack (L-P-H mm) | 580 - 615 - 925 |
| Average power consumption | 1400 W | (L-P-H in) | 22 13/16 - 24 3/16 - 36 7/16 |
| Fuse | 16 A | Net weight | 73 kg / 161 lbs |
| Finish | AISI 304 stainless steel, scotch brite | Gross weight | 83 kg / 183 lbs |

All the technical information need to be considered at the following conditions:
 Standard Cube (7 g)
 Ambient temperature +21° C
 Water temperature +15° C
 Average power consumption at +43° C (standard voltage)
 Refrigerant R404A

Models and specifications are subject to change without notice

Rev. 03 - Issued May 2018



www.bremaice.it
info@bremaice.it

