

## Modular ice maker - Vertical evaporator system Daily production up to 205 kg

Hotel	████████████████████
Restaurant	████████████████████
Fast food	████████████████████
Bar	████████████████████
Disco	████████████████████
Fish market	████████████████████
Supermarket	████████████████████
Medical & SPA	████████████████████
Industry	████████████████████

### ► Position n°



### ► Features & Plus

- Single and crystal cube
- AISI 304 SS Scotch Brite finish
- Tropical class +43°C
- Removable and cleanable air filter
- Air or water cooling system
- Easy cleanable internal rounded surface
- RoHS Free
- Electromechanical operation
- ON-OFF rocker switch
- Automatic washing system
- Standard and special voltages



Single and crystal cube



AISI 304 SS Scotch Brite finish

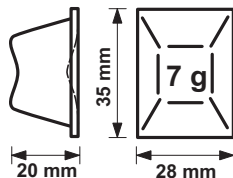


Removable and cleanable air filter

### ► Usable Bins

- Bin 240PE
- Bin 200
- Bin 350
- Double Roller Bin 100

### ► Available ice cube size



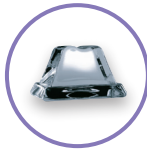
### ► Prod. 24h

Air temp.	Water temp.		Kg	Lbs	
	10° C	50° F			7° C
10° C	50° F	7° C	45° F	205	452
21° C	70° F	15° C	60° F	200	441

**2 Years Warranty**  
subject to limitations

### ► Certifications available for this model



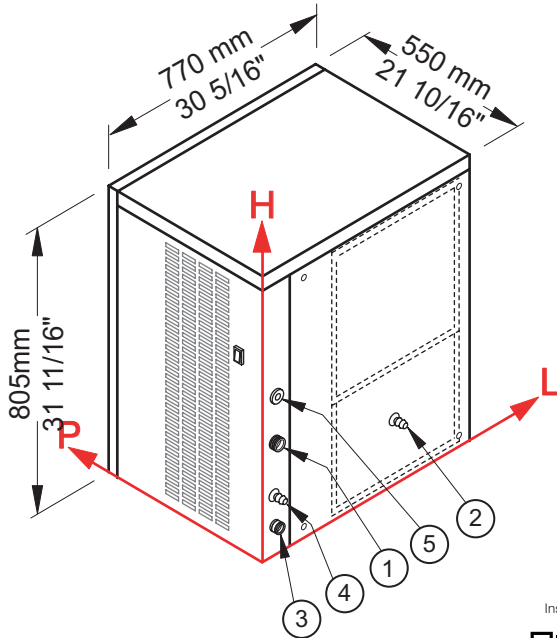


Fast Ice

# VM 500



## Modular ice maker - Vertical evaporator system Daily production up to 205 kg



Installation



### ► Working conditions

- Location: **Indoor**

	Min	Max
Ambient temperature	+10° C / +50° F	+43° C / 110° F
Water temperature	+3° C / +37° F	+32° C / +90° F
Voltage	-10%	+10%
Water inlet pressure	1bar (14 psi)	6bar (84 psi)

### ► Performances

	Air temperature	Water temperature	Water temperature					
			7° C	45° F	15° C	60° F	21° C	70° F
	10° C	205 kg						
	50° F		452 lbs					
	21° C			200 kg				
	70° F				441 lbs			
	32° C					163 kg		
	90° F						359 lbs	

### ► Connections

All measures are referred to the down-left corner (L-H-Ø)

- ① Water in.: 38 mm / 1 8/16" - 252 mm / 9 15/16" - 3/4"
- ② Cond. water in.: 375 mm / 14 12/16" - 115 mm / 4 8/16" - 12 mm / 8/16"
- ③ Water out.: 32 mm / 1 4/16" - 40 mm / 1 9/16" - 24 mm / 15/16"
- ④ Cond. water out.: 28 mm / 1 2/16" - 93 mm / 3 11/16" - 12 mm / 8/16"
- ⑤ Electrical connections: 33 mm / 1 5/16" - 323 mm / 12 11/16"
- ② ④ Only water cooling systems

### ► Technical information

Production in 24h	200 kg / 441 lbs	Water consumption	A: 2,4 l/kg - 28,7 gal/100 lbs
Cooling system	A - W		W: 13 l/kg - 155,8 gal/100 lbs
Kind of cube	7g	Sizes (L-P-H mm)	770 - 550 - 805
Refrigerant	R404A - R452A	(L-P-H in)	30 5/16 - 21 10/16 - 31 11/16
Standard voltage	220-240 V ~ 50 Hz	Sizes with pack (L-P-H mm)	815 - 615 - 980
Average power consumption	1600 W	(L-P-H in)	32 1/16 - 24 3/16 - 38 9/16
Fuse	20 A	Net weight	90 kg / 198 lbs
Finish	AISI 304 stainless steel, scotch brite	Gross weight	101 kg / 223 lbs

All the technical information need to be considered at the following conditions:

- Standard Cube (7 g)
- Ambient temperature +21° C
- Water temperature +15° C
- Average power consumption at +43° C (standard voltage)
- Refrigerant R404A

Models and specifications are subject to change without notice

Rev. 03 - Issued May 2018



[www.bremaice.it](http://www.bremaice.it)  
[info@bremaice.it](mailto:info@bremaice.it)

Bim + Data  
download

